

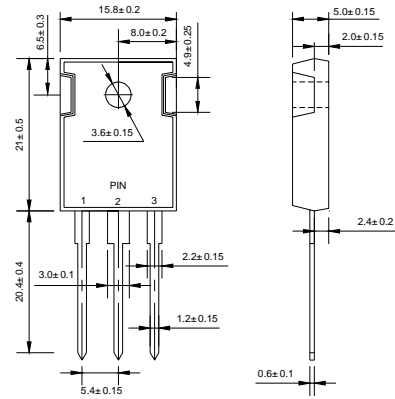


VOLTAGE RANGE: 100 --- 600 V
FORWARD CURRENT: 20 A

Features

- ◇ Low cost
- ◇ Low leakage
- ◇ Low forward voltage drop
- ◇ High current capability
- ◇ Easily cleaned with alcohol, Isopropanol and similar solvents
- ◇ The plastic material carries U/L recognition 94V-0

TO-247



Dimensions in millimeters

Mechanical Data

- ◇ Case: JEDEC TO-3P, molded plastic
- ◇ Terminals: Solderable per MIL-STD-750, Method 2026
- ◇ Polarity: As marked
- ◇ Weight: 0.223 ounce, 6.3 grams
- ◇ Mounting position: Any

MAXIMUM RATINGS AND ELECTRICAL CHARACTERISTICS

Ratings at 25°C ambient temperature unless otherwise specified.

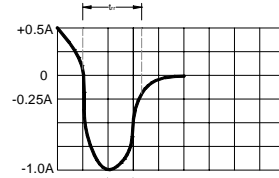
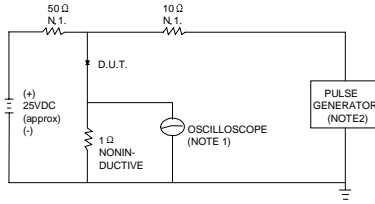
Single phase, half wave, 60 Hz, resistive or inductive load. For capacitive load, derate by 20%.

Type Number	Symbol	GF 2010PC	GF 2020PC	GF 2030PC	GF 2040PC	GF 2050PC	GF 2060PC	UNITS
Maximum recurrent peak reverse voltage	V_{RRM}	100	200	300	400	500	600	V
Maximum RMS voltage	V_{RMS}	70	140	210	280	350	420	V
Maximum DC blocking voltage	V_{DC}	100	200	300	400	500	600	V
Maximum average forward rectified current @ $T_C=100^\circ\text{C}$	$I_{F(AV)}$	20						A
Peak forward surge current 8.3ms single half-sine-wave superimposed on rated load @ $T_J=125^\circ\text{C}$	I_{FSM}	150						A
Maximum instantaneous forward voltage @ 10 A	V_F	0.98		1.3		1.7		V
Maximum reverse current @ $T_A=25^\circ\text{C}$ at rated DC blocking voltage @ $T_A=150^\circ\text{C}$	I_R	5.0		10		500		μA
Maximum reverse recovery time (Note1)	t_{rr}	30						ns
Operating junction temperature range	T_J	- 55 ----- + 150						$^\circ\text{C}$
Storage temperature range	T_{STG}	- 55 ----- + 150						$^\circ\text{C}$

NOTE: 1. Measured with $I_F=0.5\text{A}$, $I_R=1\text{A}$, $I_{rr}=0.25\text{A}$.

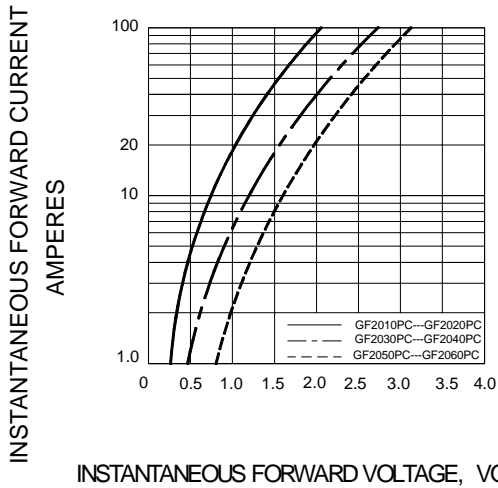
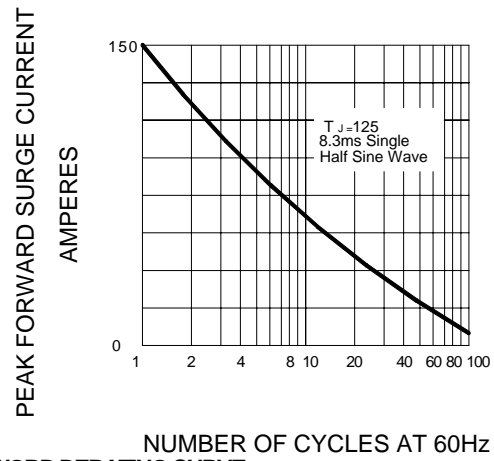
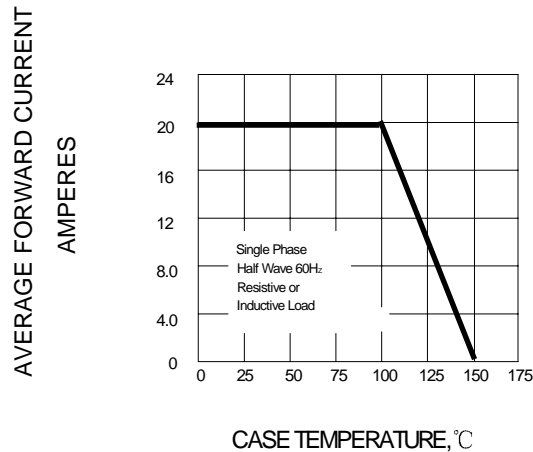


Ratings AND Characteristic Curves

FIG.1 – TEST CIRCUIT DIAGRAM AND REVERSE RECOVERY TIME CHARACTERISTIC


NOTES:1.RISE TIME = 7ns MAX.INPUT IMPEDANCE = 1MΩ, 22pF.
2.RISE TIME = 10ns MAX.SOURCE IMPEDANCE = 50 Ω.

SET TIME BASE FOR 15 ns/cm

FIG.2 – TYPICAL FORWARD CHARACTERISTIC

FIG.3 – PEAK FORWARD SURGE CURRENT

FIG.4-FORWARD DERATING CURVE


PACKAGE	PCS/TUBE	CARTON SPQ/PCS	CARTON SIZE/CM	CARTON GW/KG	CARTON NW/KG
TO-247	30	1800	54*24*17	16	12