

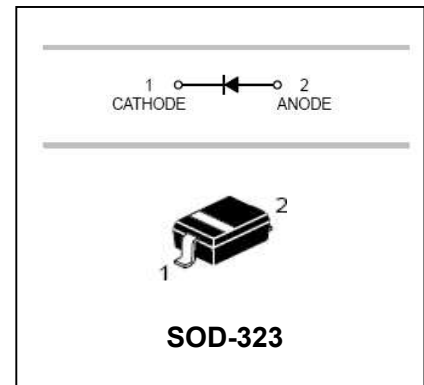


FEATURES

- High current
- Extremely fast switching speed
- Ultra-small surface mount package

APPLICATIONS

- Schottky barrier detector and switching diodes



ORDERING INFORMATION

Type No.	Marking	Package Code
CMDSH2-3	S2•	SOD-323

MAXIMUM RATING @ Ta=25°C unless otherwise specified

Parameter	Symbol	Limits	Unit
DC reverse voltage	V_R	30	V
Forward continuous Current	I_F	200	mA
Forward Surge Current @tp=1ms	I_{FSM}	1	A
Power Dissipation	P_d	250	mW
Thermal resistance, junction to ambient air	$R_{\theta JA}$	500	°C/W
Junction temperature	T_j	150	°C
Storage temperature range	T_{stg}	-65 to +150	°C

ELECTRICAL CHARACTERISTICS @ Ta=25°C unless otherwise specified

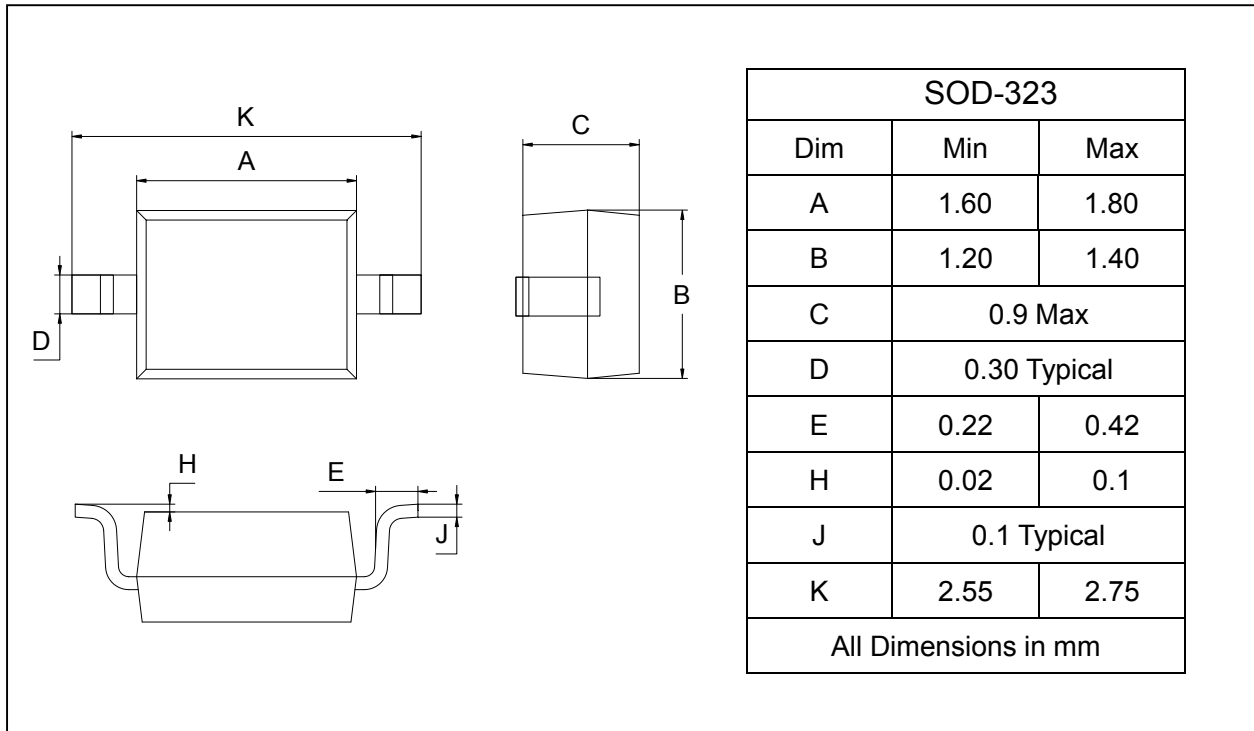
Parameter	Symbol	Conditions	Min.	Typ.	Max.	Unit
Reverse Breakdown Voltage	$V_{(BR)R}$	$I_R=100\mu A$	30			V
Forward voltage	V_F	$I_F=2mA$		0.26		V
		$I_F=15mA$		0.32		V
		$I_F=100mA$		0.42		V
		$I_F=200mA$		0.49	0.55	V
Reverse leakage current	I_R	$V_R=30V$		0.4	50	μA
Reverse recovery time	t_{rr}	$I_F=10mA, I_R=1.0mA$			5.0	ns
Total capacitance	C_T	$V_R=10V, f=1.0MHz$		15		pF



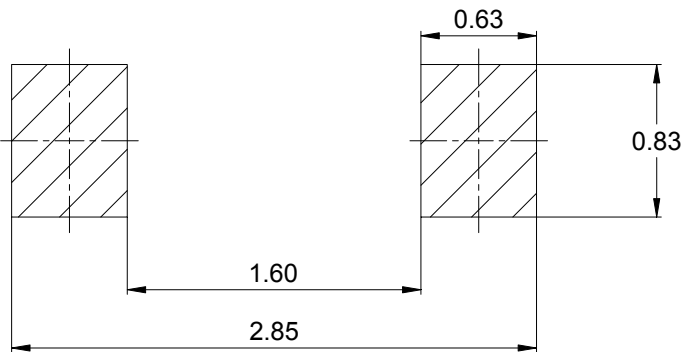
PACKAGE OUTLINE

Plastic surface mounted package

SOD-323



SOLDERING FOOTPRINT



Unit : mm

PACKAGE INFORMATION

Device	Package	Shipping
CMDSH2-3	SOD-323	3000/Tape&Reel