

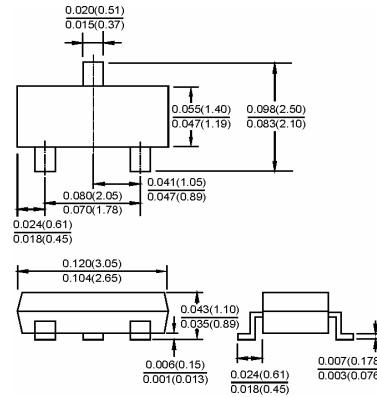
SOT-23

Features

- Extremely Fast switching speed.
- Low forward voltage.
- Power dissipation $P_d=350\text{mW}$
- Pb/RoHS Free

Applications

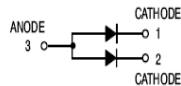
- Fast switching application.



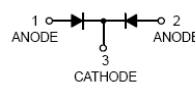
Dimensions in inches and (millimeters)



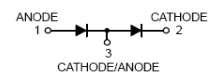
CMP SH-3



CMP SH-3A



CMP SH-3C



CMP SH-3S

Ordering Information

Type No.	Marking	Package Code
CMP SH-3	D95	SOT-23
CMP SH-3A	DB1	SOT-23
CMP SH-3C	DB2	SOT-23
CMP SH-3S	DA5	SOT-23

MAXIMUM RATING @ $T_a=25^\circ\text{C}$ unless otherwise specified

Parameter	Symbol	Limits	Unit
Peak Repetitive Peak reverse voltage	V_{RRM}	30	V
Forward Continuous Current	I_F	100	mA
Peak Repetitive Forward Current	I_{FRM}	350	mA
Forward Surge Current	I_{FSM}	750	mA
	$t_p=10\text{ms}$		
Power Dissipation	P_d	350	mW
Thermal Resistance	$R_{\theta JA}$	357	$^\circ\text{C}/\text{W}$
Junction Storage temperature	T_J, T_{STG}	-55-150	$^\circ\text{C}$



ELECTRICAL CHARACTERISTICS @ Ta=25°C unless otherwise specified

Parameter	Symbol	Min.	Typ.	Max.	Unit	Conditions
Reverse Breakdown Voltage	$V_{(BR)}$	30			V	$I_R=100\mu A$
Forward voltage	V_{F1}		0.29	0.33	V	$I_F=2.0mA$
	V_{F2}		0.40	0.45	V	$I_F=15mA$
	V_{F3}		0.74	1.00	V	$I_F=100mA$
Reverse current	I_R		90	500	nA	$V_R=25V$
			25	100	μA	$V_R=25V T_A=100^\circ C$
Diode Capacitance	C_D		7.0		pF	$V_R=1V, f=1MHz$
Reverse Recovery Time	t_{rr}			5	ns	$I_F=I_R=10mA$ $I_{rr}=0.1I_R, R_L=100\Omega$

PACKAGE	SPQ/PCS	CARTON SPQ/PCS	CARTON SIZE/CM	CARTON GW/KG	CARTON NW/KG
SOT-23	3000/REEL	90000	40X20X22	5.00	4.00