

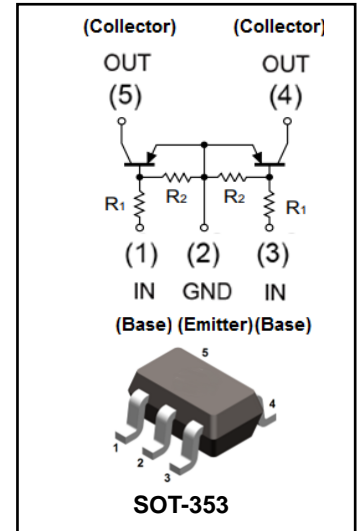


Features

- Two DTA114E Transistors in a package
- Built-in biasing resistors (R₁: 10kΩ, R₂: 10kΩ)
- Reduces component count
- Surface mount package suited for automated assembly

Mechanical Data

- Case : SOT-353
- Molding Compound: UL Flammability Classification Rating 94V-0
- Terminals: Matte tin-plated leads; solderability-per MIL-STD-202, Method 208



Ordering Information

Part Number	Package	Shipping Quantity	Marking Code
UMA9N	SOT-353	3000 pcs / Tape & Reel	A9

Maximum Ratings (@ T_A = 25°C unless otherwise specified)

Parameter	Symbol	Value	Unit
Supply Voltage	V _{CC}	-50	V
Input Voltage	V _{IN}	+10 to -40	V
Output Current	I _O	-50	mA
Collector Current	I _{C (Max.)}	-100	mA

Thermal Characteristics

Parameter	Symbol	Value	Unit
Power Dissipation	P _D	150	mW
Operating Junction Temperature Range	T _J	-55 ~ +150	°C
Storage Temperature Range	T _{STG}	-55 ~ +150	°C



Electrical Characteristics (@ T_A = 25°C unless otherwise specified)

Parameter	Symbol	Test Condition	Min.	Typ.	Max.	Unit
Input Voltage	V _{I(OFF)}	V _{CC} = -5V, I _O = -100μA	-0.5	-	-	V
Input Voltage	V _{I(ON)}	V _O = -0.3V, I _O = -10mA	-	-	-3	V
Output Voltage	V _{O(ON)}	I _O = -10mA, I _I = -0.5mA	-	-	-0.3	V
Input Current	I _I	V _I = -5V	-	-	-0.88	mA
Output Current	I _{O(off)}	V _{CC} = -50V, V _I = 0V	-	-	-0.5	μA
DC Current Gain	G _I	V _O = -5V, I _O = -5mA	30	-	-	-
Input Resistor	R ₁		7	10	13	kΩ
Resistance ratio	R ₂ /R ₁		0.8	1.0	1.2	-
Gain-Bandwidth Product	f _T	V _{CE} = -10V, I _E = -5mA f = 100MHz	-	250	-	MHz



Ratings and Characteristic Curves (@ $T_A = 25^\circ\text{C}$ unless otherwise specified)

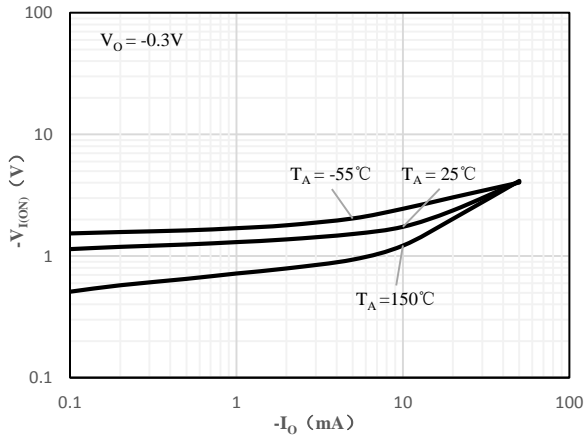


Fig 1 Input Voltage vs Output Current

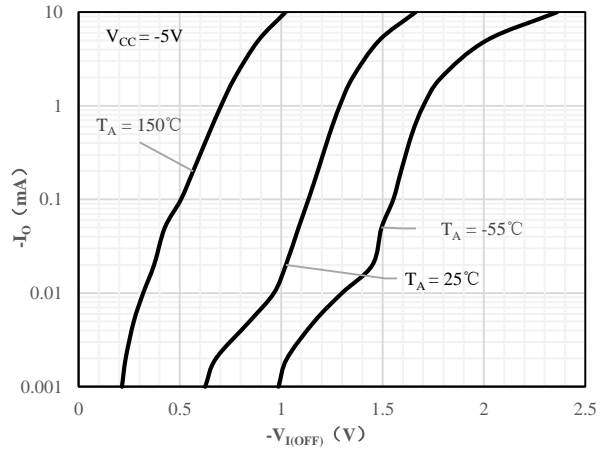


Fig 2 Output Current vs Input Voltage

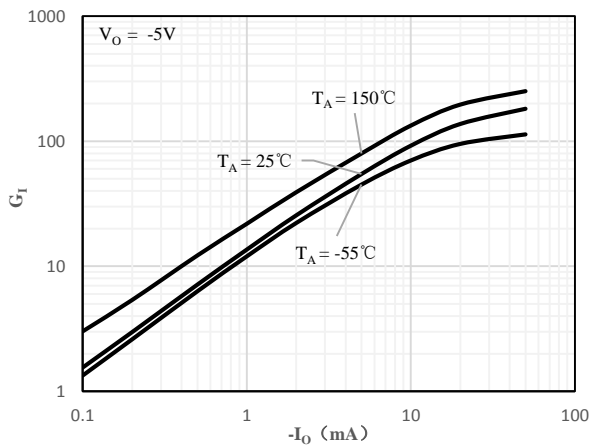


Fig 3 DC Current Gain vs Output Current

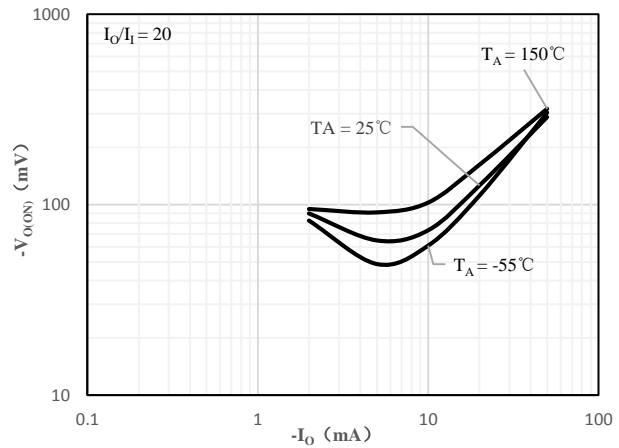
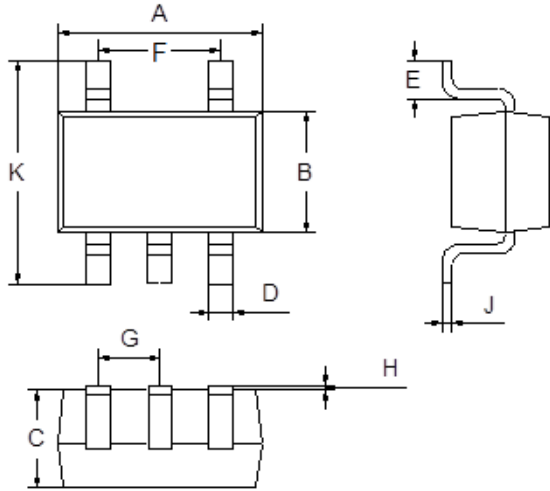


Fig 4 Output Voltage vs Output Current



Package Outline Dimensions (Unit: mm)



SOT-353		
Dimension	Min.	Max.
A	2.00	2.20
B	1.15	1.35
C	0.85	1.05
D	0.15	0.35
E	0.25	0.40
F	1.20	1.40
G	0.60	0.70
H	0.02	0.10
J	0.05	0.15
K	2.20	2.40

Mounting Pad Layout (Unit: mm)

SOT-353

